

⚠ IMPORTANT NOTES ⚠

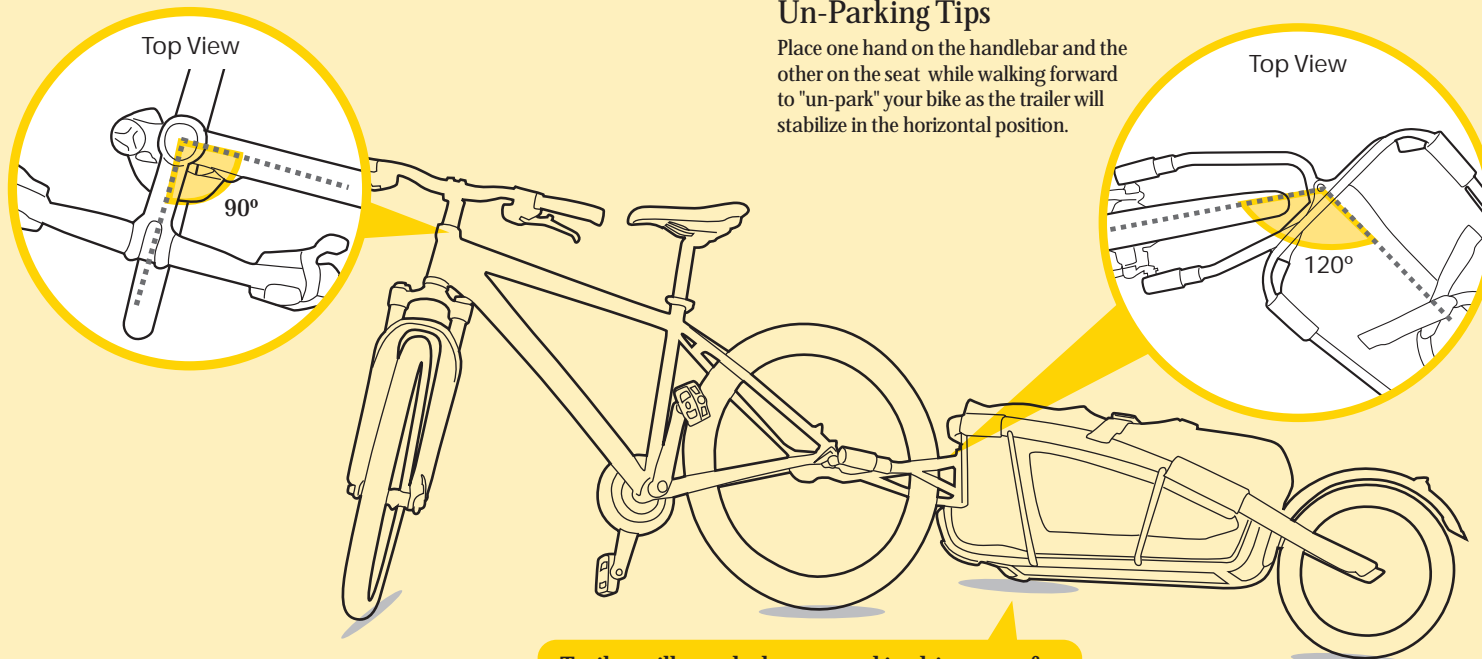
1. Never park your bike and trailer using the bike's kickstand. The added trailer weight cannot be supported correctly and may cause damage.
2. Make sure to park your bike and trailer on level ground. We do not recommend parking on grass, loose dirt, gravel, uneven or soft surfaces.

Parking Tips

Align the rear wheel and trailer approximately 120 degrees (see inset diagram) and turn the front wheel approximately 90 degrees to the bike (see inset diagram) to stabilize and park. The trailer frame will touch the ground after parking (as shown)

Un-Parking Tips

Place one hand on the handlebar and the other on the seat while walking forward to "un-park" your bike as the trailer will stabilize in the horizontal position.



Trailer will touch the ground in this area after parking the bike and trailer as shown.

WARNING

1. Maximum weight capacity: 32 kgs (70 lbs)
2. Topeak Trailer fits on bikes with rear dropout spacing of 130 mm or 135 mm with 26", 700C or 29" wheels.
3. Topeak Journey Trailer is intended to carry cargo only. Do not carry children or live animals.
4. Make sure your cargo is placed securely in trailer. Shifting loads can adversely affect bicycle handling and result in loss of control.
5. SPEED LIMIT: 30 kph (17 mph). Speed wobbles (and loss of control) can occur if speed limit is exceeded.
6. Keep the cargo center of gravity low.
7. Generally, other road users do not expect bicycles to be pulling trailers. Use the included trailer flag for added safety and visibility.
8. Check that the tail light is properly installed before riding (optional or required). Contact your appropriate government agency to learn of any lighting requirements in your state/country.
9. When passing a cyclist or pedestrian, remember that you are approximately 4.5 feet (1.40m) longer when pulling your trailer.
10. When riding in wet conditions use extreme caution and allow even more distance for braking.
11. Always allow extra stopping distance when riding with your trailer.
12. We strongly recommend that you cautiously test ride the bike (braking and turning) with a full test load (70lbs/32kgs) on wet, sandy or gravel covered surfaces to get accustomed to the change in handling characteristics before embarking on a trip.

OPTIONAL ACCESSORIES

RedLite™ UFO



Art No. TMS017

RedLite™ II



Art No. TMS035B (Black)
TMS035W (White)

WARRANTY

2-year Warranty: All mechanical components against manufacturer defects only.

Warranty Claim Requirements

To obtain warranty service, you must have your original sales receipt. Items returned without a sales receipt will assume that the warranty begins on the date of manufacture. All warranties will be void if the Journey Trailer or DryBag is damaged due to user abuse, system alteration, modification, or used in any way not intended as described in this user's guide.

*The specifications and design are subject to change without notice.

Please contact your Topeak dealer with any questions.

For USA customer service,
call : 1-800-250-3068
www.topeak.com

Copyright © Topeak, Inc. 2011

M-TTR-01-GB 02/11



Journey Trailer and DryBag

User's Guide

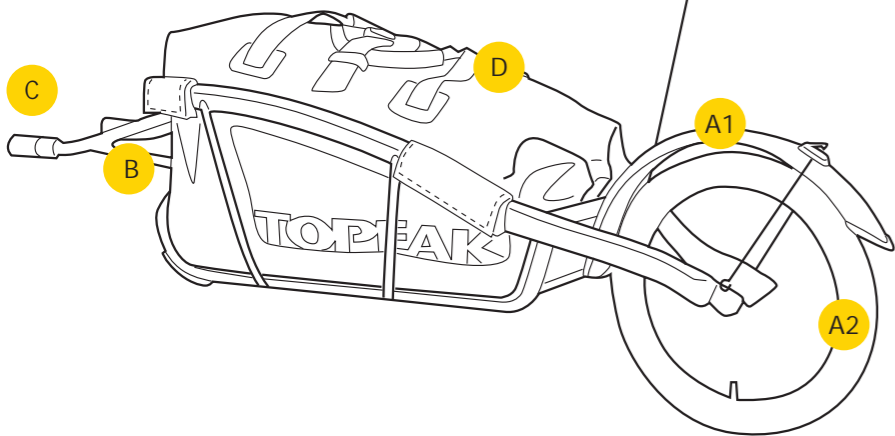
- Maximum Load: 32 kgs/ 70 lbs
- Maximum Capacity: 65.3 L/ 3980 ci
- Please read all instructions before first use.
Installation procedures follow in this manual.

GB

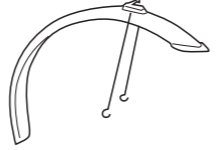
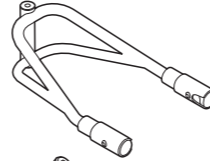
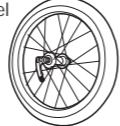

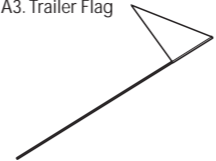



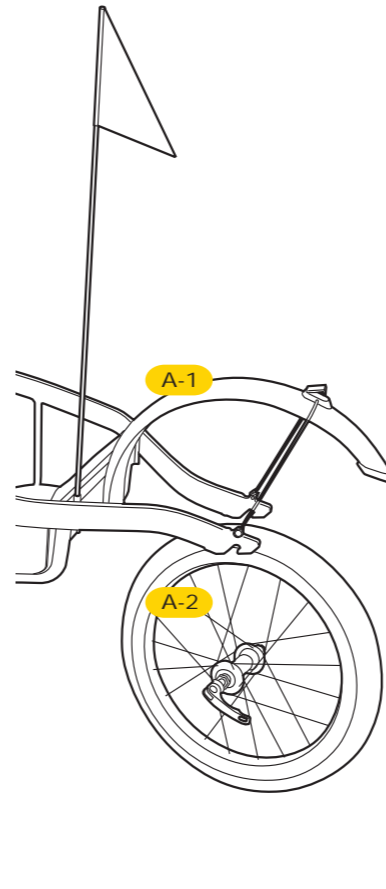
Art no. TTR-01

MAINTENANCE SCHEDULE		
Part	Service	Period
A1	Fender Check: Tightness Correct angle Tire clearance	Monthly
A2	Wheel Check: Tire pressure Inspect for damage	Every Ride
A3	Trailer Flag Check: Damage or broken	As needed
B	Trailer Yoke Check: Screw tightness Spring tension Smooth rotation	Monthly
C	Trailer connector Check: Screw tightness Mounting position	Every Ride
D	DryBag Check: Damage or broken Fastened for tightness	Every Ride



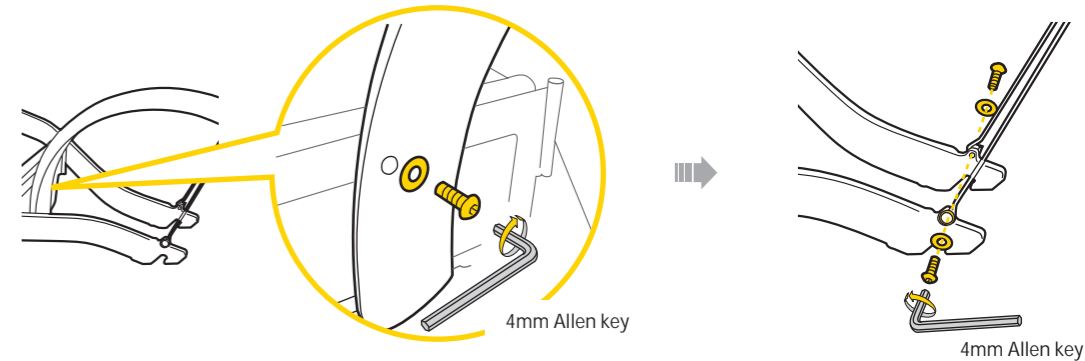
Your Journey Trailer should includes the following parts:

A1. Trailer Fender 	B Trailer Yoke with SlideLock QR attachment 
Washer 3 pcs Screws 3 pcs	M6 bolt 1 pc Washer 1 pc Nut 1 pc
A A2. Quick Release 16" wheel 	C Trailer connector 
A3. Trailer Flag 	D Journey DryBag 
* Tools Required: 4mm Allen key, 5mm Allen key, 10mm open end wrench	

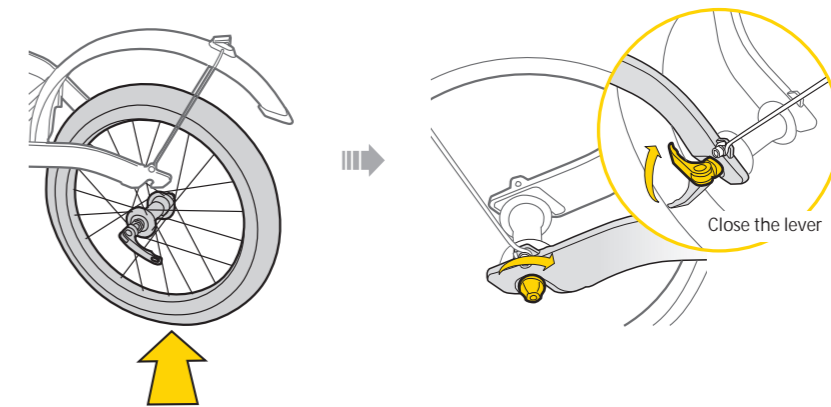


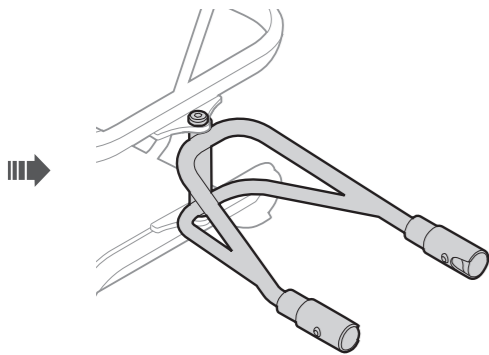
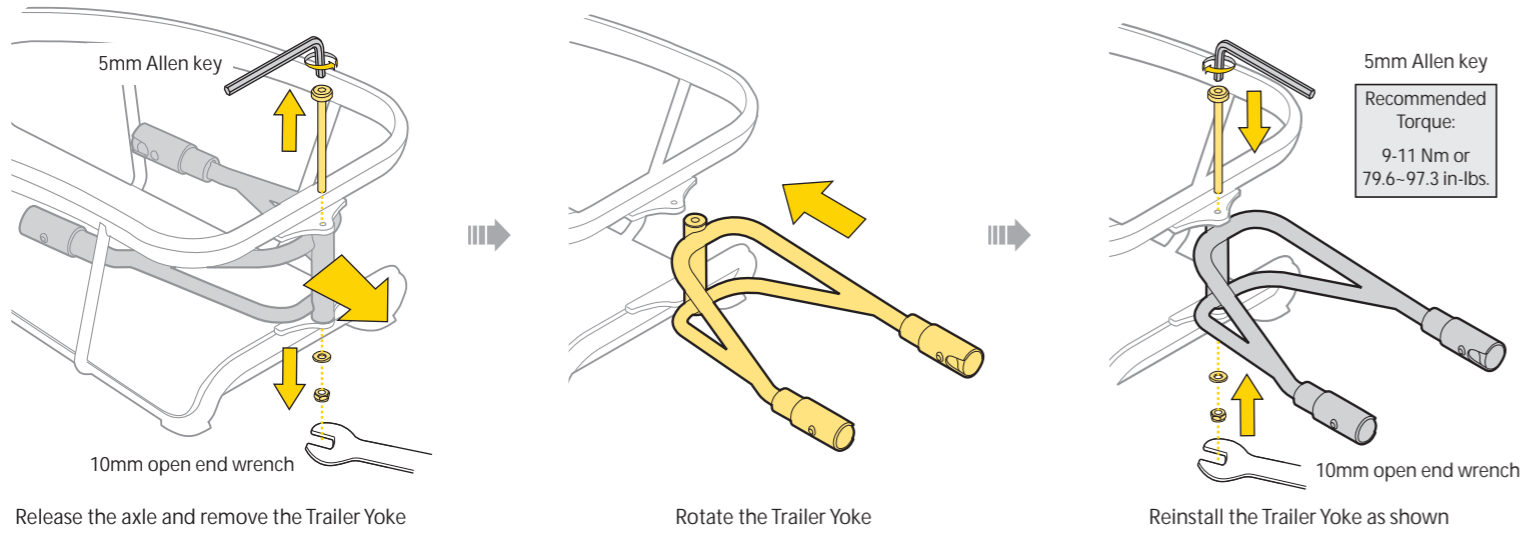
A. TRAILER FENDER AND WHEEL ASSEMBLY

A-1 Installation of Trailer Fender

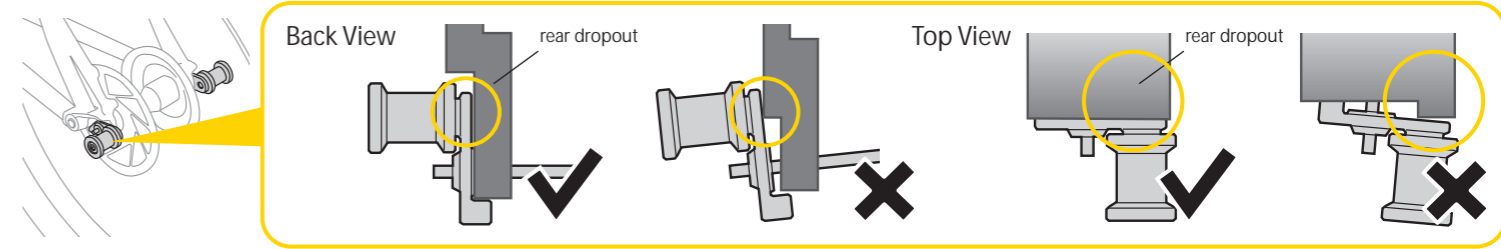


A-2 Installation of Quick Release 16" wheel

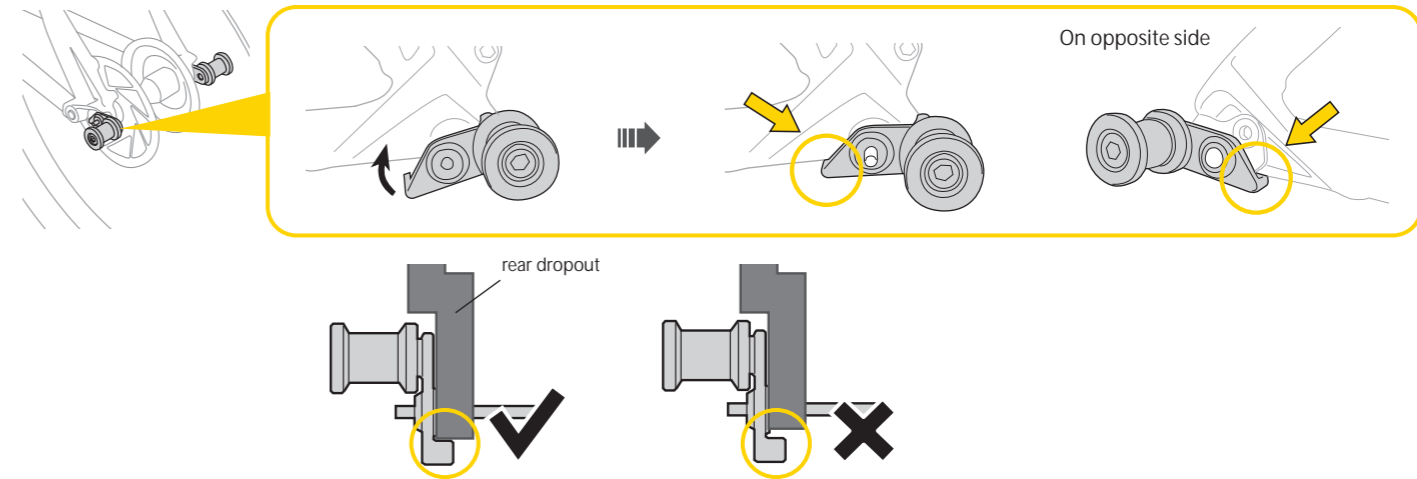




1 Make sure the Trailer connector is installed against and parallel to the dropout surface without any interference.



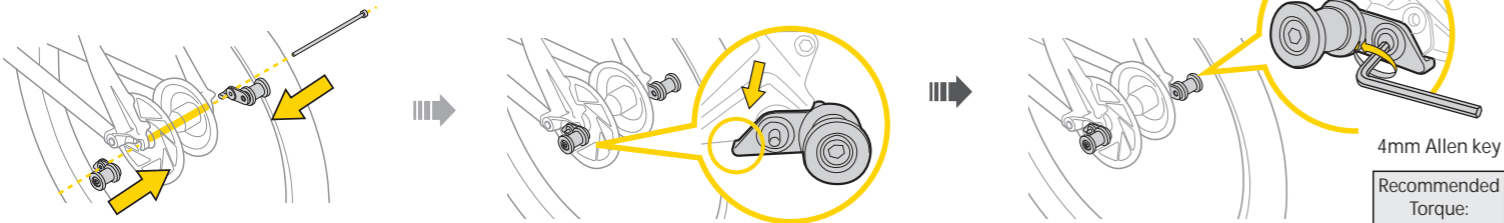
2 Make sure the hook of Trailer connector is installed in proper position on both sides.



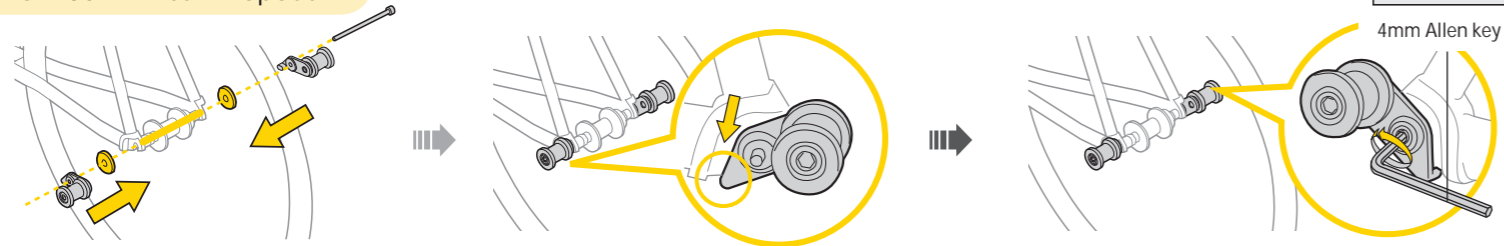
Step 1

Remove rear Quick Release skewer from rear wheel first

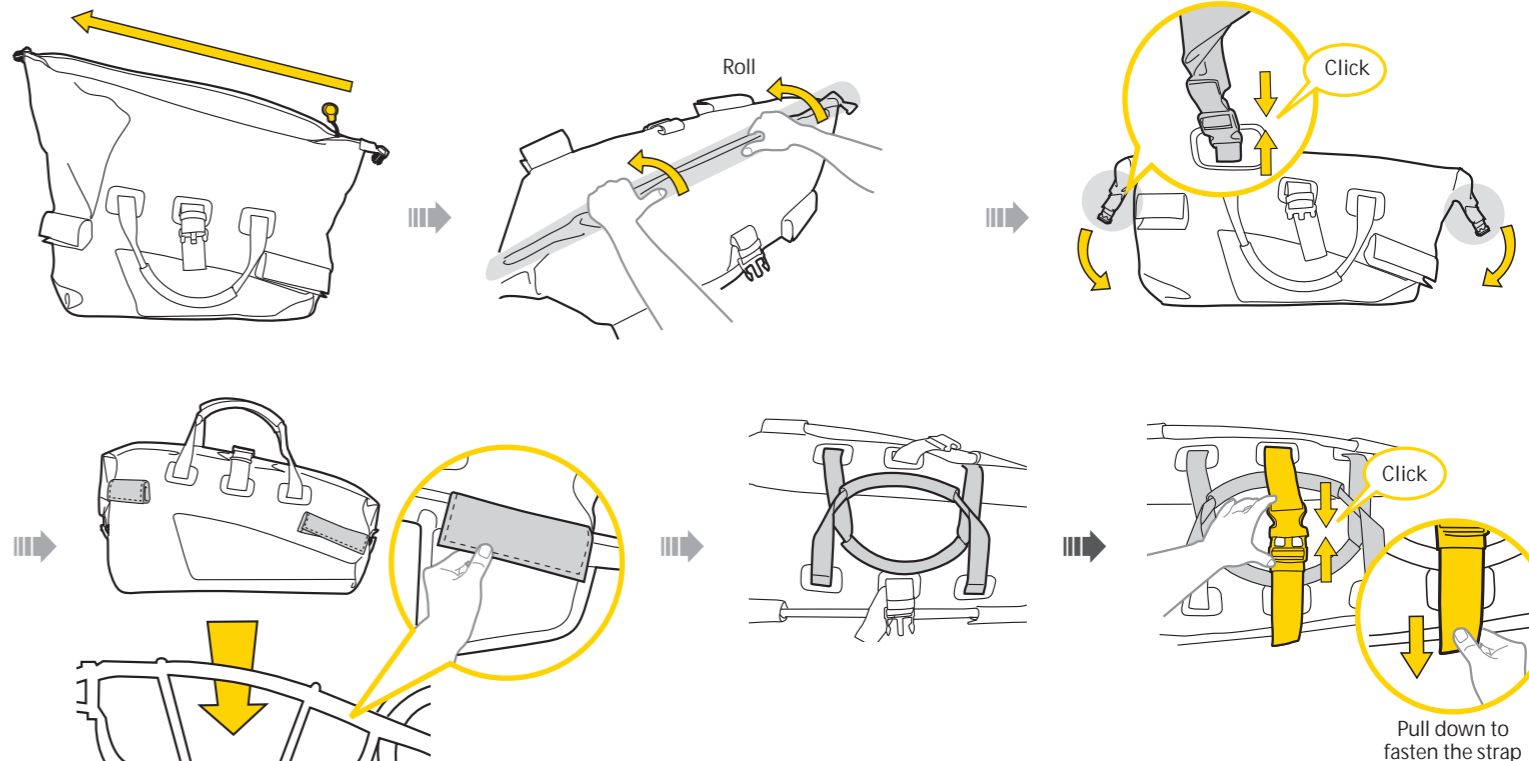
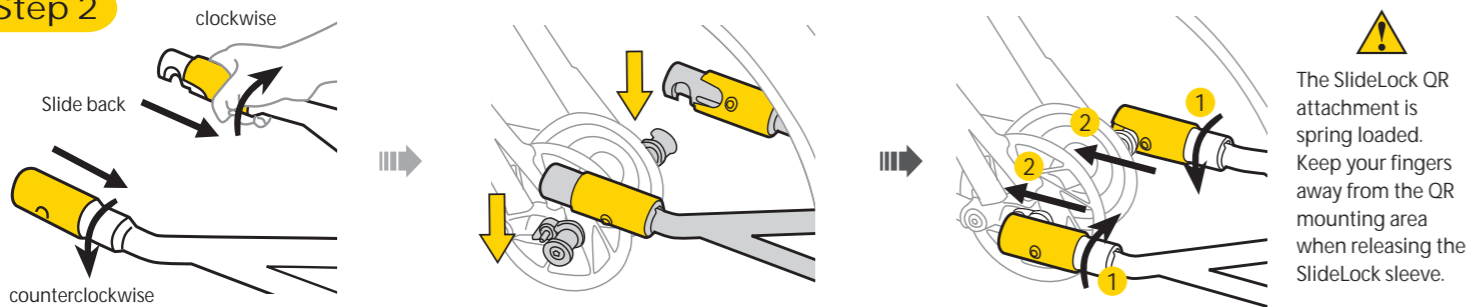
For 135mm Rear Dropout



For 130mm Rear Dropout



Step 2



IMPORTANT NOTE

- Make sure all sharp objects are covered to prevent punctures to the DryBag.
- Place heavier objects towards the bottom for maximum stability.